

4

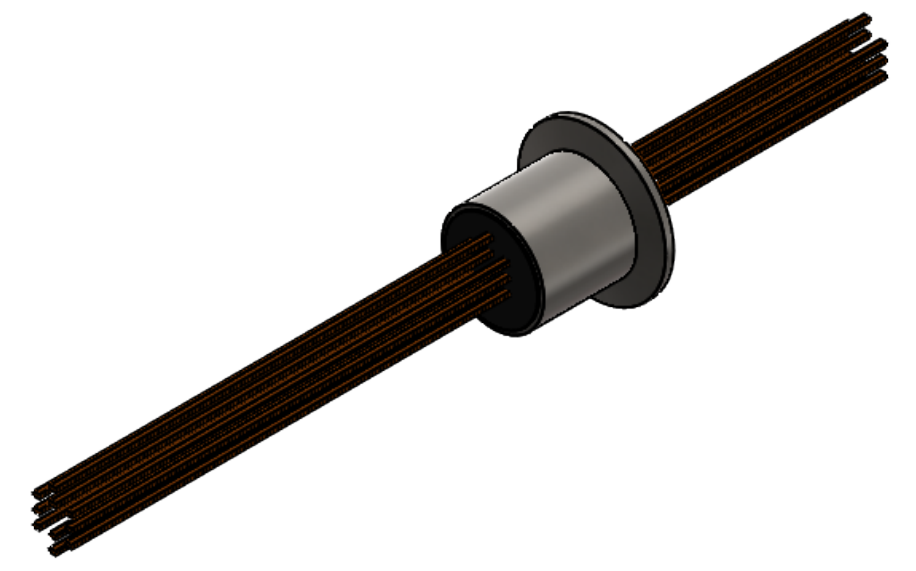
3

2

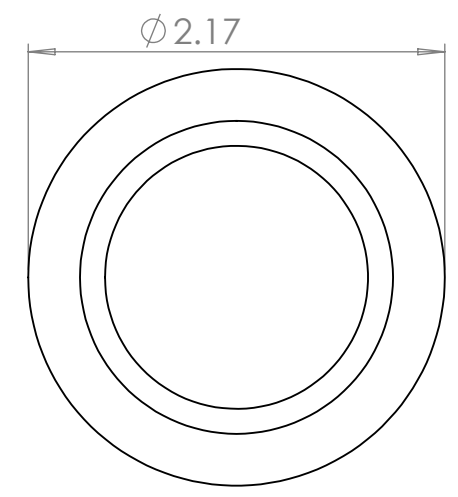
1

PLEASE SIGN TO APPROVE

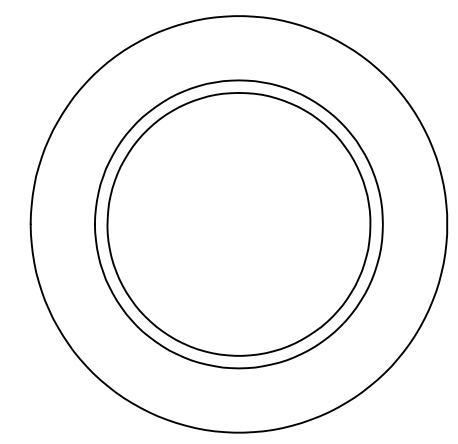
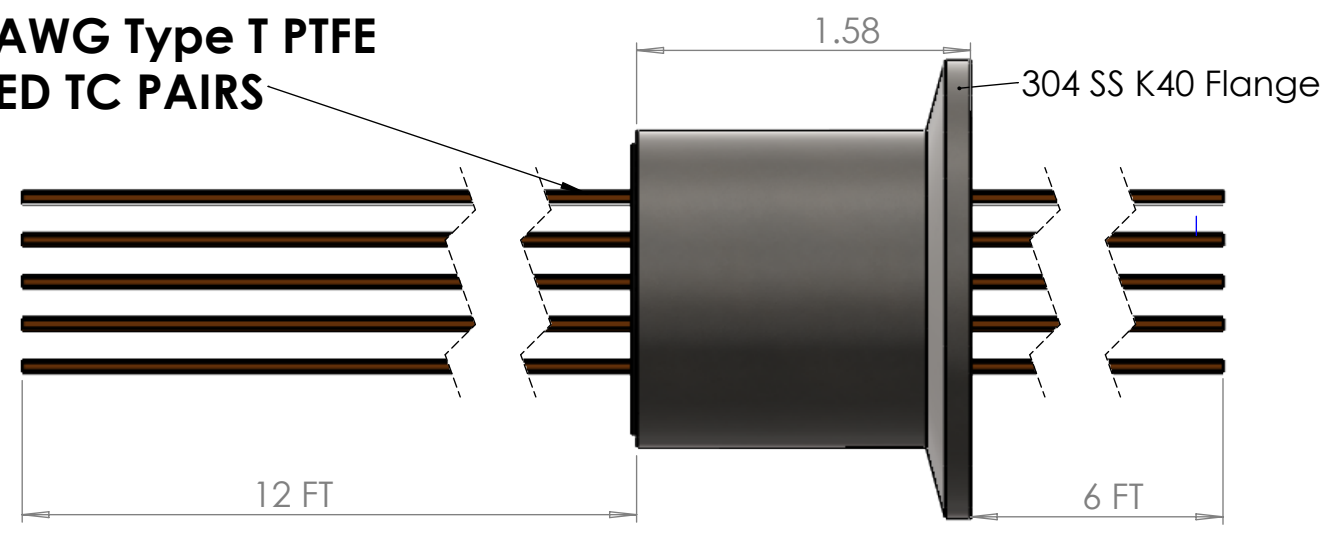
X \_\_\_\_\_ / \_\_\_\_\_



**10 X 24 AWG Type T PTFE INSULATED TC PAIRS**



Atmosphere Side



Vacuum Side

Notes:

- 1. Operating Temperatures: -30C to 55C
- 2. Vacuum Rating:  $10^{-7}$

**PROPRIETARY AND CONFIDENTIAL**  
 THE INFORMATION CONTAINED IN THIS DRAWING IS THE SOLE PROPERTY OF BELILOVE CO. ENGINEERS. ANY REPRODUCTION IN PART OR AS A WHOLE WITHOUT THE WRITTEN PERMISSION OF BELILOVE CO. ENGINEERS IS PROHIBITED.

UNLESS OTHERWISE SPECIFIED:		NAME	DATE
DIMENSIONS ARE IN INCHES		DRAWN	A.M
TOLERANCES:		CHECKED	
FRACTIONAL ±		ENG APPR.	
ANGULAR: MACH ± BEND ±		MFG APPR.	
TWO PLACE DECIMAL ± .01		Q.A.	
THREE PLACE DECIMAL ± .005		COMMENTS:	
INTERPRET GEOMETRIC TOLERANCING PER:		THIS DRAWING IS FOR REFERENCE ONLY.	
MATERIAL		FINAL PRODUCT MAY DIFFER.	
FINISH			
DO NOT SCALE DRAWING			

<b>BCE</b>		
TITLE:		
TYPE T TC FEEDTHROUGH		
SIZE	DWG. NO.	REV
<b>B</b>	<b>BCE10995</b>	-
SCALE: NTS	WEIGHT: N/A	SHEET 1 OF 1

4

3

2

1

B

B

A

A