

2

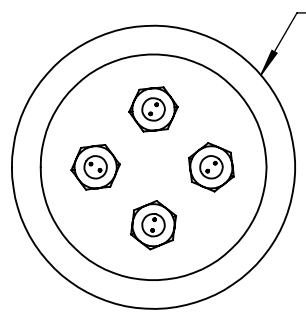
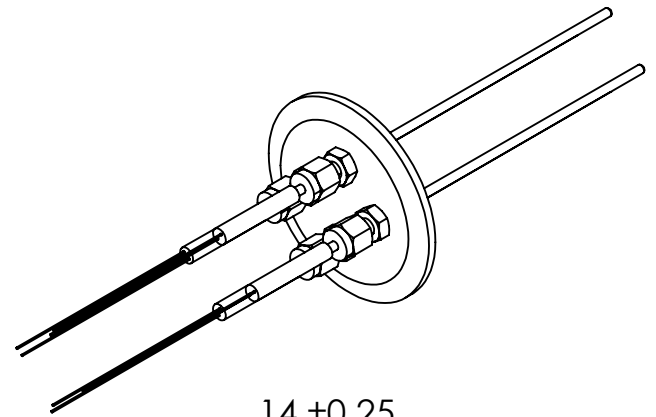
1

PLEASE SIGN TO APPROVE

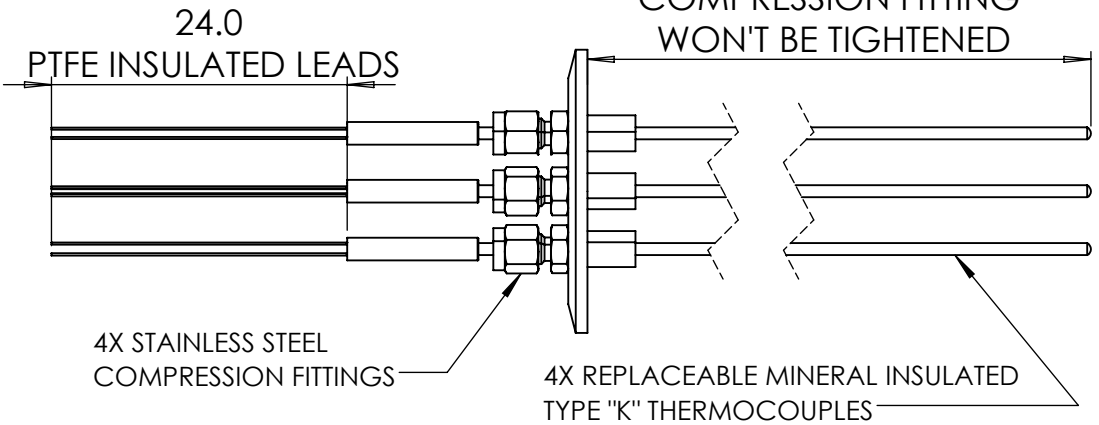
X \_\_\_\_\_ / \_\_\_\_\_

B

B



STAINLESS STEEL  
KF 50 FLANGE



**NOTES:**

1. COMPRESSION FITTINGS WILL BE COMPRESSED BY CUSTOMER TO ALLOW FOR ADJUSTMENT.
2.  $10^{-7}$  ATM-CC/Sec

A

A

The information given herein is based on data believed to be accurate, but BCE makes no expressed or implied warranties as to its accuracy and assumes no liability arising out of its use by others. This information does not constitute a license to use or infringe on any patents

**PROPRIETARY AND CONFIDENTIAL**  
THE INFORMATION CONTAINED IN THIS DRAWING IS THE SOLE PROPERTY OF BELLOVE CO. ENGINEERS. ANY REPRODUCTION IN PART OR AS A WHOLE WITHOUT THE WRITTEN PERMISSION OF BELLOVE CO. ENGINEERS IS PROHIBITED.

UNLESS OTHERWISE SPECIFIED:  
DIMENSIONS ARE IN INCHES  
TOLERANCES:  
FRACTIONAL ±  
ANGULAR: MACH ± BEND ±  
TWO PLACE DECIMAL ± .050  
THREE PLACE DECIMAL ± .009

INTERPRET GEOMETRIC TOLERANCING PER:

MATERIAL SEE DWG

FINISH N/A

DO NOT SCALE DRAWING

PART. NO.



TITLE:

**4X REPLACEABLE  
TC FEEDTHROUGH**

SIZE

**A**

DWG. NO.

**BCE11049**

REV

-

SCALE: NTS WEIGHT: N/A

SHEET 1 OF 1

2

1